

# MAXIMATOR®

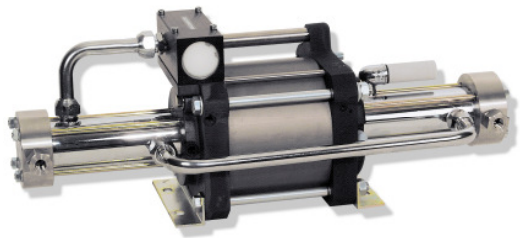
## Maximum Pressure.



High Pressure Technology • Testing Equipment  
Hydraulics • Pneumatics

### Technical Data Sheet

### Gas booster DLE 30



DLE 30  
double acting, single air drive head  
single stage

#### Technical Data:

Air drive pressure pL:	1-10 bar / 14,5 - 145psi
Pressure ratio i:	1:30
Compression ratio	1:20
Minimum suction pressure pA:	15
Maximum suction pressure pA:	600 bar
Maximum outlet pressure pB:	600 bar
Displacement volume/double stroke:	120 cm³
Maximum cycles:	120 / min
Stall pressure:	$PB = i * pL + pA$

#### Standard Connections:

Air drive:	3/4 BSP
DLE 30 (-GG)	Inlet/Outlet: 1/4BSP
Maximum operating temperature	100°C
Net weight:	18 kg

Pressure and flow performances, please see enclosed graph.

#### Materials of construction hp section DLE 30:

Standard seal package:	PTFE, Viton
Compressor head:	1.4305
HP cylinder:	1.4542
HP piston:	1.4305
Fittings:	1.4305
Balls:	1.4034
Springs:	1.4310

#### Approximate Dimensions:

Length:	620 mm
Width:	181 mm
Height:	233 mm

#### Available Options:

Inert gas service (standard)	DLE 30 (-GG)
Oxygen service:	DLE 30-GG-S
CO <sub>2</sub> service:	DLE 30-GG-C
In-/Outlet: 9/16-18UNF	DLE 30-UU
In-/Outlet: 1/4NPT	DLE 30-NN

#### Available Accessories:

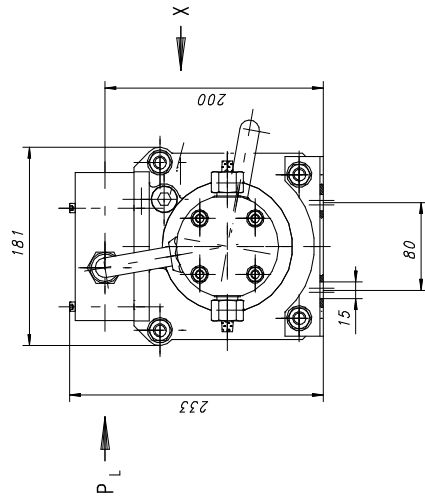
Air control units with filter pressure regulator, control pressure gauge and shut off valve:	DLE 30 with C2
To protect the booster against excessive outlet pressures or to limit the outlet pressure, a safety valve can be fitted to the air control unit in the air drive line:	DLE 30 with C2/SVair (The required outlet pressure has to be indicated.)

**Please consult factory for more information.** All technical and dimensional information subject to change. All General Terms and Conditions of sale, including limitations of our liability, apply to all products and services sold.

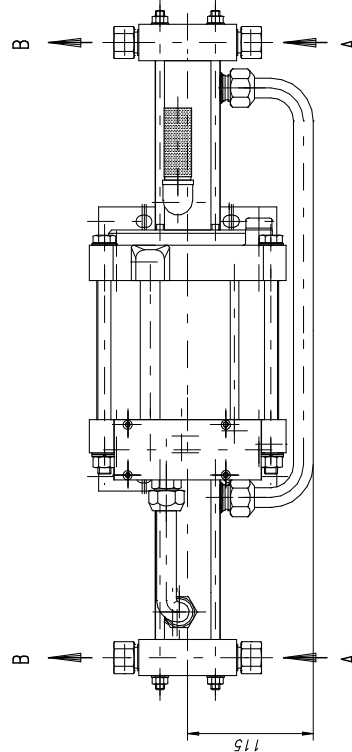
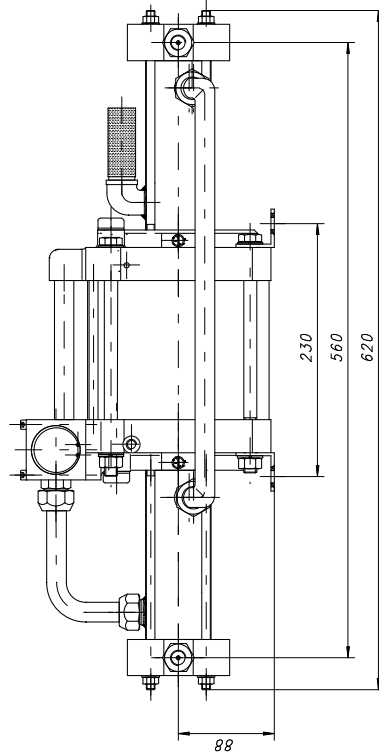


High Pressure Technology • Testing Equipment  
Hydraulics • Pneumatics

MAXIMATOR  
 Maßzeichnung / Dimension drawing  
 Typ / type: DLE 15, DLE 30, DLE 75



Antriebslufteinlaß.....P<sub>L</sub> = G3/4 (3/4BSP)  
 (air drive inlet)  
 Gaseinlaß.....A = G1/4 (1/4BSP) >9/16-18UNF<  
 (gas inlet)  
 Gasauslaß.....B = G1/4 (1/4BSP) >9/16-18UNF<  
 (gas outlet)  
 Steuerluftanschluß.....X = G1/8 (1/8BSP)  
 (external pilot con.)



<b>MAXIMATOR®</b>	
<small>MAXIMATOR® ist ein eingetragenes Warenzeichen der MAXIMATOR GmbH. Alle Rechte vorbehalten. Nachdruck, Vervielfältigung und Verbreitung, auch auszugsweise, ist ohne schriftliche Genehmigung der MAXIMATOR GmbH.</small>	
<small>MAXIMATOR®</small> DLE 15(30, 75) doppelwirkend / einstufig VP 16.00.48 (3216)	MAXIMATOR - DLE doppelwirkend / einstufig VP 16.00.48 (3216)
DLE 15(30, 75) doppelwirkend / einstufig VP 16.00.48 (3216)	MAXIMATOR - DLE doppelwirkend / einstufig VP 16.00.48 (3216)
DLE 15(30, 75) doppelwirkend / einstufig VP 16.00.48 (3216)	MAXIMATOR - DLE doppelwirkend / einstufig VP 16.00.48 (3216)

# MAXIMATOR®

## Maximum Pressure.



High Pressure Technology • Testing Equipment  
Hydraulics • Pneumatics

