

Ball Valves

Double Block and Bleed

6DB Series

Pressures to 15,000 psi (1035 bar)

Autoclave series 6DB double block valve is a two-stem ball valve providing an economical and convenient method of blocking and bleeding in applications such as pressure monitoring and test, chemical injection and drain line isolation. This full port quarter turn double ball valve is designed for operation up to 15,000 psi (1034 bar).

Double Block and Bleed Features:

- One piece, trunnion mounted stem design eliminates shear failure and reduces the effects of side loading found in two piece designs.
- Re-torqueable seat glands for longer seat life.
- Carbon filled PEEK seats offer excellent resistance to chemicals, heat and wear/abrasion.
- Vee-stem vent valve.
- Full-port flow path minimizes pressure drop.
- 316 cold worked stainless steel construction.
- Low friction pressure assisted graphite filled Teflon stem seal increases cycle life and reduces operating torque.
- Quarter turn from open to close with positive stop.
- Viton o-rings for operation from 0°F (-17.8°C) to 400°F (204°C).

Autoclave valves are complemented by a complete line of fittings, tubings and accessories. The 6DB Series is available with various connections and options.



**Autoclave
Engineers** 

Fluid Components
Division of Snap-tite, Inc.
www.autoclave.com

Ball Valves - 6DB Series
Double Block and Bleed

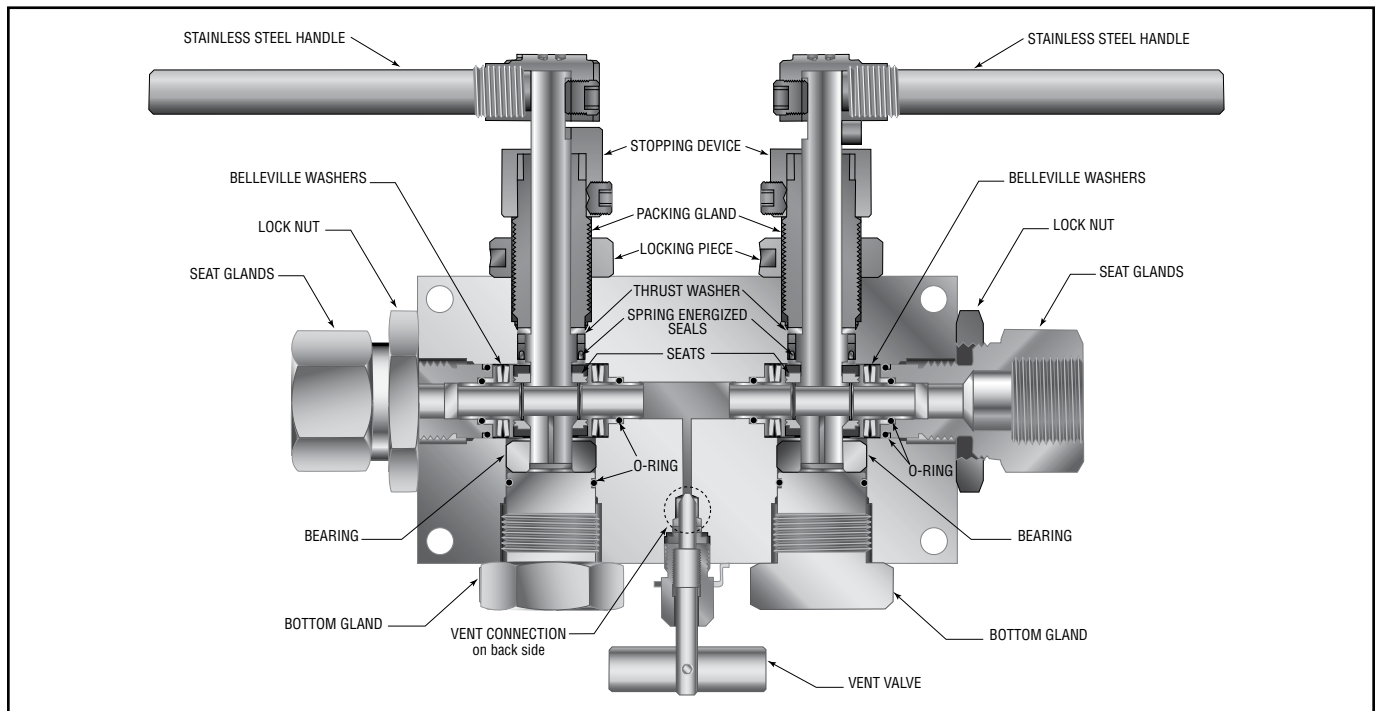
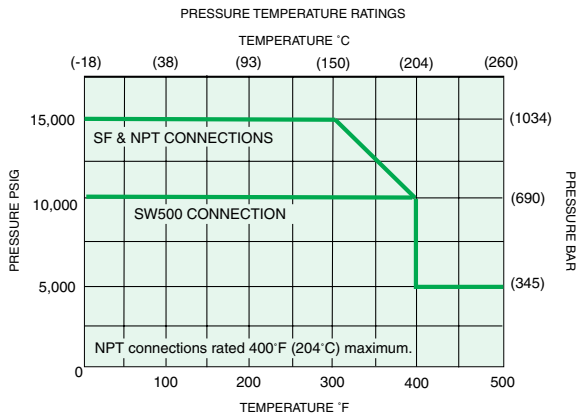
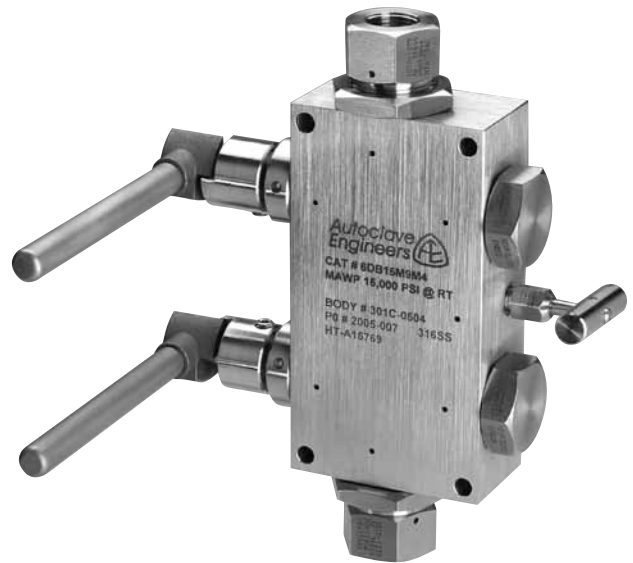
Ball Valves - 6DB Series

Pressures to 15,000 psi (1034 bar) .328" (8.33mm) Orifice

Connection	MAWP @ Room Temperature	Minimum Orifice inches(mm)
SW500	10,000 psi (690 bar)	.328 (8.33)
SF375CX20	15,000 psi (1034 bar)	.203 (5.16)
SF562CX20	15,000 psi (1034 bar)	.312 (7.92)
SF750CX20	15,000 psi (1034 bar)	.328 (8.33)
1/4" NPT	15,000 psi (1034 bar)	.328 (8.33)
3/8" NPT	15,000 psi (1034 bar)	.328 (8.33)
1/2" NPT	15,000 psi (1034 bar)	.328 (8.33)

Valve $C_V=2.3$

MAWP: Maximum Allowable Working Pressure
 C_V calculated with both ball valves open and the needle valve closed.
 C_V listed is for maximum orifice size of .328 inches only.
 Consult factory for C_V of valves with reduced orifice sizes.

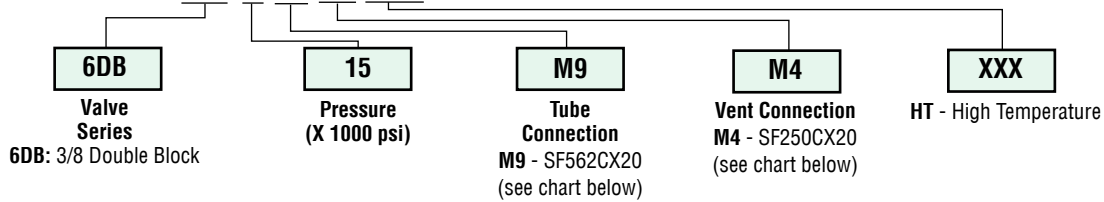


NOTE: Ball valves are not recommended for critical gas applications such as Hydrogen, Helium or other small molecular gases.

Ordering Procedure

For complete information on available end connections, see end connections options below. 6DB Series ball valves are furnished complete with tube or pipe connections.

Typical catalog number: **6DB 15 M9 M4 -XXX**



Connection Options

Catalog Number	Tube Connection Number	Connection	MAWP @ Room Temperature	Hex Inches(mm)	Vent Connection Number	Vent Connection
6DB10L8P4	L8	SW500	10,000 psi (690 bar)	1.38 (35.05)	P4	1/4" NPT
6DB15M6M4	M6	SF375CX20	15,000 psi (1034 bar)	1.38 (35.05)	M4	SF250CX20
6DB15M9M4	M9	SF562CX20	15,000 psi (1034 bar)	1.38 (35.05)	M4	SF250CX20
6DB15M12M4	M12	SF750CX20	15,000 psi (1034 bar)	1.38 (35.05)	M4	SF250CX20
6DB15P4P4	P4	1/4" NPT	15,000 psi (1034 bar)	1.38 (35.05)	P4	1/4" NPT
6DB15P6P4	P6	3/8" NPT	15,000 psi (1034 bar)	1.38 (35.05)	P4	1/4" NPT
6DB15P8P4	P8	1/2" NPT	15,000 psi (1034 bar)	1.38 (35.05)	P4	1/4" NPT

MAWP: Maximum Allowable Working Pressure

Ball Valve Options

High Temperature Option:

HT - for media temperature up to 500°F (260°C)

See ball valve options/details for full description, connection details and high temperature options.

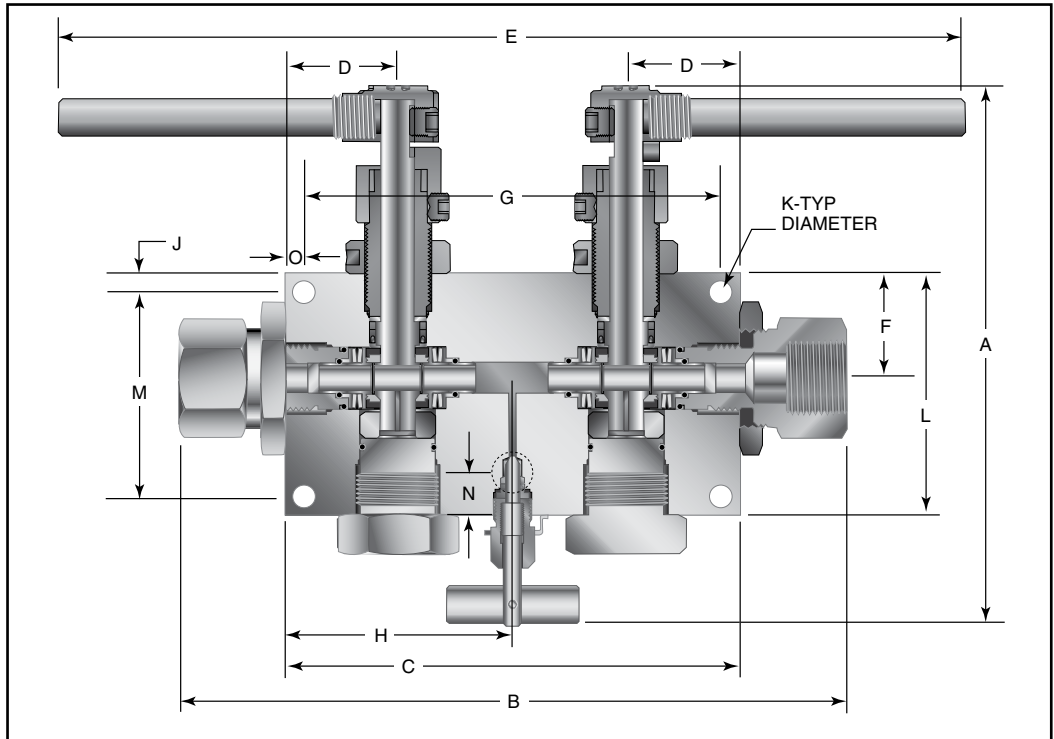
For material options consult factory.

Valve Maintenance

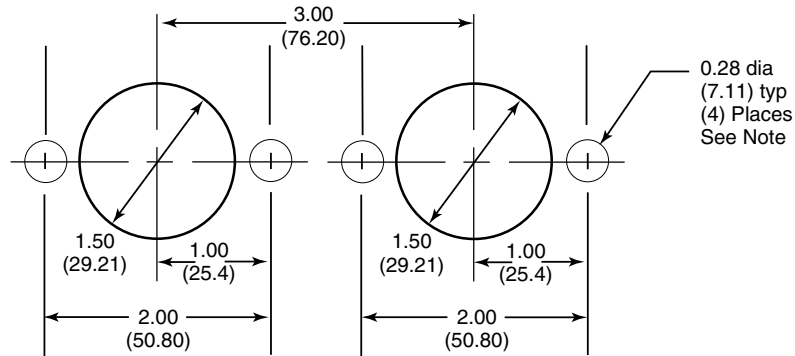
Consult your Autoclave representative for pricing on repair kits. Refer to the Operation and Maintenance manual for proper maintenance procedures.

Ball Valve Dimensions - inches (mm)

VALVE MODEL 6DB	
A	7.14 (181.36)
B	8.81 (223.77)
C	6.00 (152.40)
D	1.50 (38.10)
E	12.94 (328.68)
F	1.38 (34.92)
G	5.50 (139.70)
H	3.00 (76.2)
J	0.41 (10.30)
K	0.28 (7.14)
L	3.19 (81.03)
M	2.38 (60.40)
N	0.65 (16.51)
O	0.50 (12.70)
Block Thickness	1.75 (44.45)



Ball Valve Panel Mounting Dimensions - inches (mm)



All dimensions are for reference only
and are subject to change without notice.

NOTE: Body Top Mounting 1/4-20 Thread

! WARNING !

FAILURE OR IMPROPER SELECTION OR IMPROPER USE OF THE PRODUCTS AND/OR SYSTEMS DESCRIBED HEREIN OR RELATED ITEMS CAN CAUSE DEATH, PERSONAL INJURY AND/OR PROPERTY DAMAGE.

This document and other information from Snap-tite, Inc., its subsidiaries and authorized distributors, provides product and/or system options for further investigation by users having technical expertise. It is important that you analyze all aspects of your application and review the information concerning the product or system in the current product catalog. Due to the variety of operation conditions and applications for these products or systems, the user, through its own analysis and testing, is solely responsible for making the final selection of the products and systems and assuring that all performance, safety and warning requirements of the application are met.

The products described herein, including without limitation, product features, specifications, designs, availability and pricing, are subject to change by Snap-tite, Inc. and its subsidiaries at any time without notice.


EUROPE

Industrial Estate
Whitemill-Wexford
Republic of Ireland
PH: 353 53 914 1566 FAX: 353 53 914 1582
e-mail: ste_sales@snap-tite.com
www.snap-tite.com

Autoclave Engineers 

Fluid Components
Division of Snap-tite, Inc.

8325 Hessinger Drive
Erie, Pennsylvania 16509-4679 USA
PH: 814-860-5700 FAX: 814-860-5811
e-mail: ae_sales@snap-tite.com
www.autoclave.com

ISO-9001 Certified

02-1258SE-1010